

- 1
- 2
- 3
- 4
- 5
- 6
- 7
- 8
- 9
- 10
- 11
- 12
- 13
- 14
- 15
- 16
- 17
- 18
- 19

TYPE

- Type **A**: with pull ring, without rest position.
- Type **C**: with pull ring, with rest position.
- Type **E**: with pull lever, with stop position.

Guide / Pull ring

AISI 316 stainless steel precision casting **A4**

Lever

AISI 316 stainless steel precision casting

Plunger

AISI 316 stainless steel

Spring

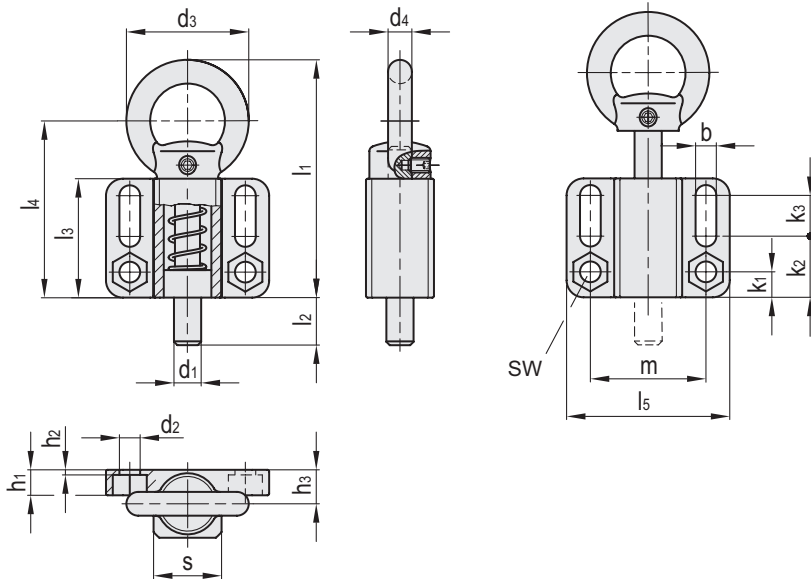
AISI 316Ti stainless Steel

Grub screw

Stainless Steel A4

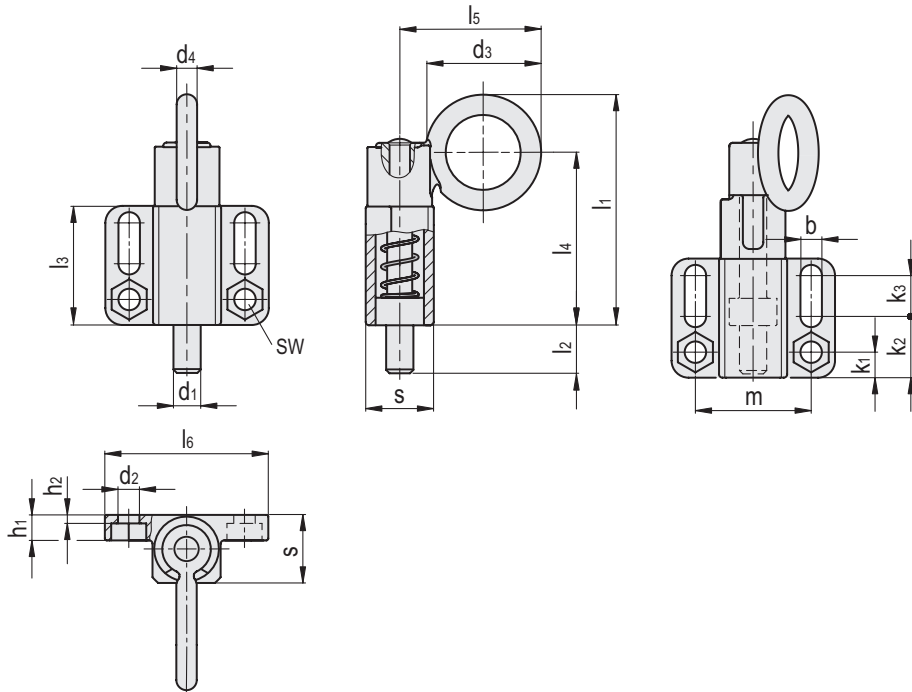
FEATURES AND APPLICATIONS

In the GN 722.6-A4 spring indexing plungers the plunger pin is actuated by the pull ring or lever. This operation is performed manually, with a cable or by means of a pulling hook in the versions with pull ring. AISI 316 stainless steel is suitable for use in particularly aggressive environments. The dimensional tolerances between the tip and the guide body are chosen in order to guarantee functional reliability even in applications of approximate dimensions or in the event of contamination. For fastening, slotted or hexagonal mounting holes allow the use of socket cap screws and hexagon screws or nuts.



GN 722.6-A-A4

Code	Description	d1 Plunger Hole	-0.05 -0.25 +0.3	d2 +0.3	d3	d4	b+0.3	h1	h2	h3	k1	k2	k3	l1	l2	l3	l4	l5	s	w	m	Spring preload [N]	Spring max load [N]	Δ
GN.29031	GN 722.6-8-20-A-A4	8		6.1	36	7	6.1	7.5	1.5	10	7.5	18	12	70	14	35	52	48	20	10	34	14	35	180
GN.29034	GN 722.6-10-20-A-A4	10		6.1	36	7	6.1	7.5	1.5	10	7.5	18	12	70	14	35	52	48	20	10	34	14	35	187
GN.29037	GN 722.6-12-20-A-A4	12		6.1	36	7	6.1	7.5	1.5	10	7.5	18	12	70	14	35	52	48	20	10	34	14	35	188
GN.29040	GN 722.6-14-20-A-A4	14		6.1	36	7	6.1	7.5	1.5	10	7.5	18	12	70	14	35	52	48	20	10	34	14	35	191
GN.29043	GN 722.6-16-30-A-A4	16		10.1	50	10	10.1	15	5	15	14	34	10	103	20	54	78	80	30	17	55	22	70	803
GN.29046	GN 722.6-20-30-A-A4	20		10.1	50	10	10.1	15	5	15	14	34	10	103	20	54	78	80	20	17	55	22	70	821

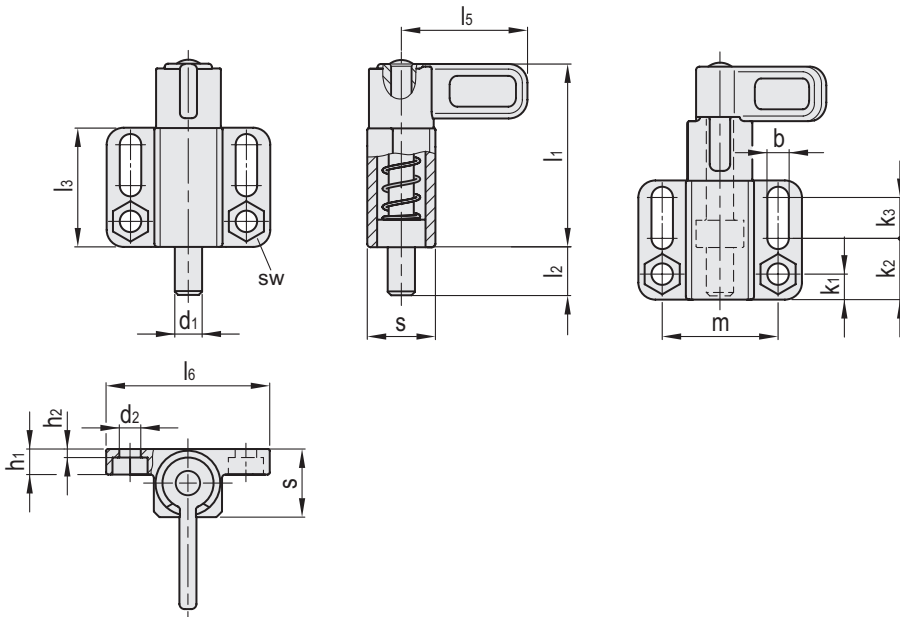


GN 722.6-C-A4

INOX STAINLESS STEEL

Code	Description	d1		d3	d4	b+0.3	h1	h2	k1	k2	k3	l1	l2	l3	l4	l5	l6	s	sw	m	Spring		
		Plunger	Hole																		preload [N]	max load [N]	Δ
GN.49551	GN 722.6-8-20-C-A4	8	-0.05 +0.3	34	6	6.1	7.5	1.5	7.5	18	12	68	14	35	51	41.5	48	20	10	34	14	35	184
GN.49554	GN 722.6-10-20-C-A4	10	-0.05 +0.3	34	6	6.1	7.5	1.5	7.5	18	12	68	14	35	51	41.5	48	20	10	34	14	35	184
GN.49557	GN 722.6-12-20-C-A4	12	-0.05 +0.3	34	6	6.1	7.5	1.5	7.5	18	12	68	14	35	51	41.5	48	20	10	34	14	35	184
GN.49560	GN 722.6-14-20-C-A4	14	-0.05 +0.3	34	6	6.1	7.5	1.5	7.5	18	12	68	14	35	51	41.5	48	30	10	34	14	35	184
GN.49563	GN 722.6-16-30-C-A4	16	-0.05 +0.3	48	9	10.1	15	5	14	34	10	102	20	54	78	60	80	30	17	55	22	70	765
GN.49566	GN 722.6-20-30-C-A4	20	-0.05 +0.3	48	9	10.1	15	5	14	34	10	102	20	54	78	60	80	20	17	55	22	70	765

- 1
- 2
- 3
- 4
- 5
- 6
- 7
- 8
- 9
- 10
- 11
- 12
- 13
- 14
- 15
- 16
- 17
- 18
- 19



GN 722.6-E-A4

INOX STAINLESS STEEL

Code	Description	d1 Plunger -0.05 -0.25 Hole +0.1 +0.3	d2 +0.3	b+0.3	h1	h2	k1	k2	k3	l1	l2	l3	l5	l6	s	sw	m	Spring preload [N]	Spring max load [N]	Δ
GN.75879	GN 722.6-8-20-E-A4	8	6.1	6.1	7.5	1.5	7.5	18	12	54	14	35	37	48	20	10	34	14	35	180
GN.75882	GN 722.6-10-20-E-A4	10	6.1	6.1	7.5	1.5	7.5	18	12	54	14	35	37	48	20	10	34	14	35	183
GN.75885	GN 722.6-12-20-E-A4	12	6.1	6.1	7.5	1.5	7.5	18	12	54	14	35	37	48	20	10	34	14	35	187
GN.75888	GN 722.6-14-20-E-A4	14	6.1	6.1	7.5	1.5	7.5	18	12	54	14	35	37	48	30	10	34	14	35	191
GN.75891	GN 722.6-16-30-E-A4	16	10.1	10.1	14	5	14	34	10	83	20	54	55	80	30	17	55	22	70	756
GN.75894	GN 722.6-20-30-E-A4	20	10.1	10.1	14	5	14	34	10	83	20	54	55	80	30	17	55	22	70	774

Indexing and positioning elements